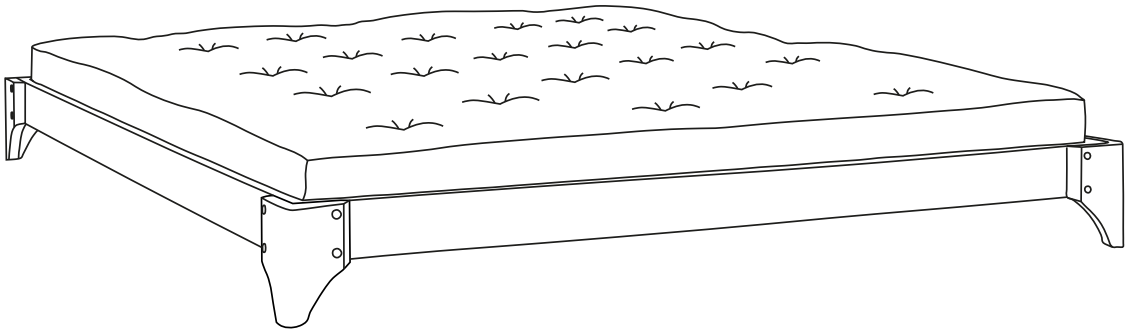


Assembly instruction



ELAN BED



karup

DESIGN

Thank you for your purchase

Tak for din bestilling

Herzlichen Dank für Ihren Einkauf

Vă mulțumim pentru comandă

Merci de votre achat

Bedankt voor uw aankoop

Děkujeme vám za váš nákup

Grazie per il tuo acquisto

Gracias por su compra

Kiitos ostoksestasi

Takk for bestillingen din

Dziękujemy za zakup

Спасибо за покупку

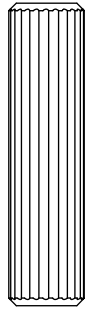
Tack för ditt köp

ご購入ありがとうございます。

구매해 주셔서 감사합니다

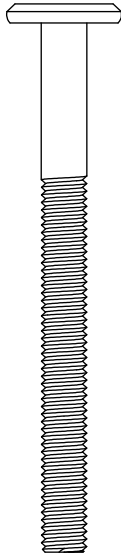
FITTINGS

A x 18



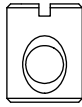
∅10 x
40mm

B x 4



∅6 x
70mm

C x 4



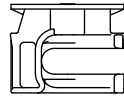
10 x
13mm

D x 8



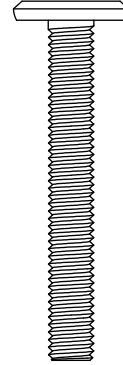
∅6,5 x
34 mm

E x 8



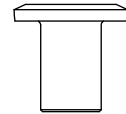
∅15 x
11 mm

F x 16



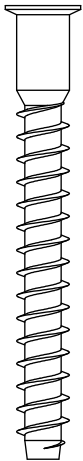
∅6 x
45 mm

G x 16



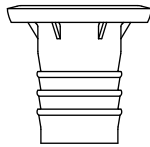
∅8 x
15 mm

H x 1



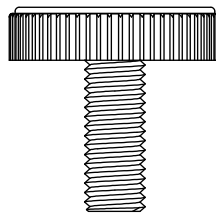
∅7 x
60 mm

I x 1



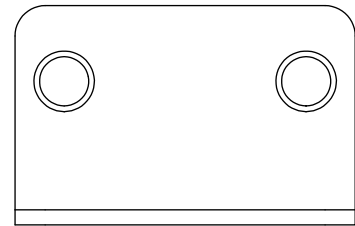
∅11 x
16 mm

J x 1



∅25 mm x
M8

K x 2



45 x 40
29 mm

L x 8



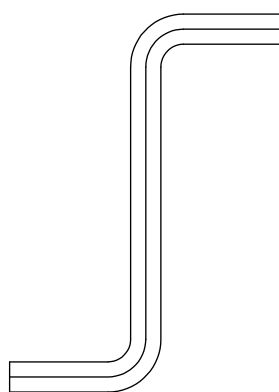
∅6.2 x
20 mm

N x 30



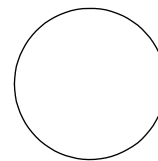
∅3.5 x
35 mm

O x 2



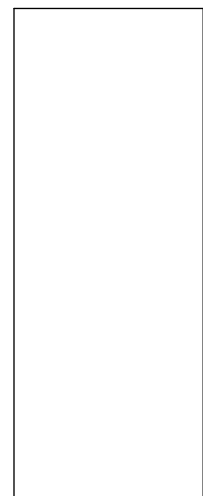
4 mm

P x 5

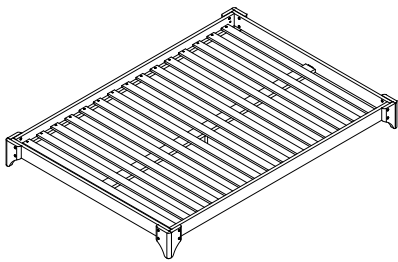


∅20 mm

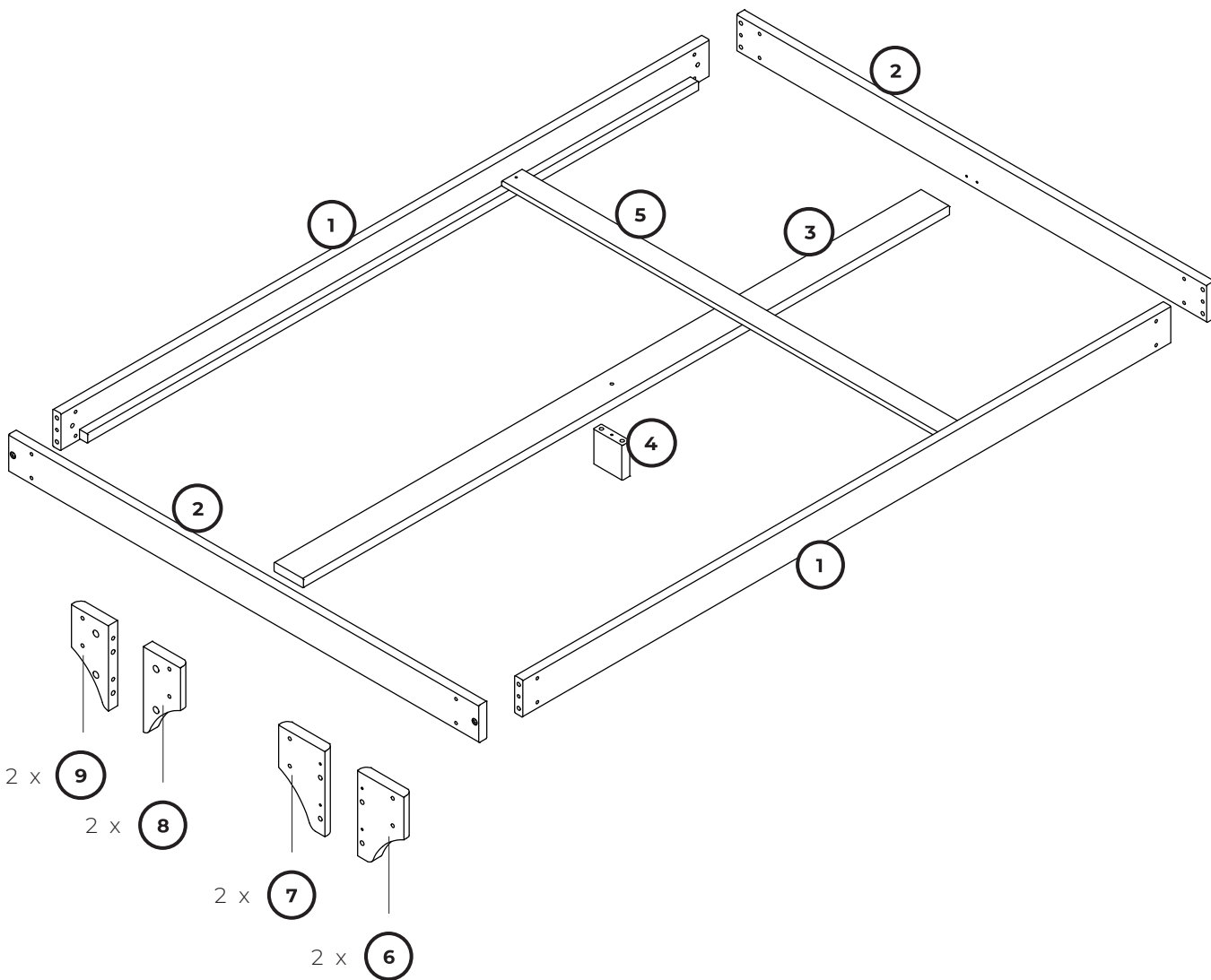
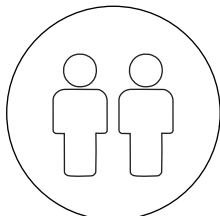
R x 2

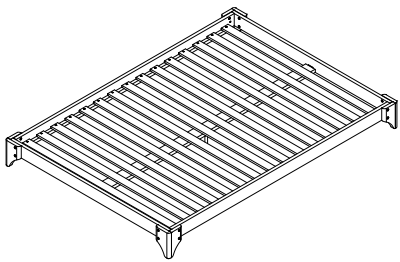


65 mm



- | | | | | | |
|-----|---|------|---|-----|---|
| 2 x | 1 | 15 x | 5 | 2 x | 9 |
| 2 x | 2 | 2 x | 6 | | |
| 1 x | 3 | 2 x | 7 | | |
| 1 x | 4 | 2 x | 8 | | |

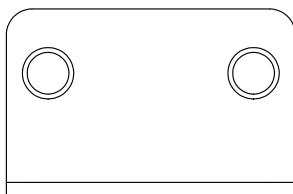




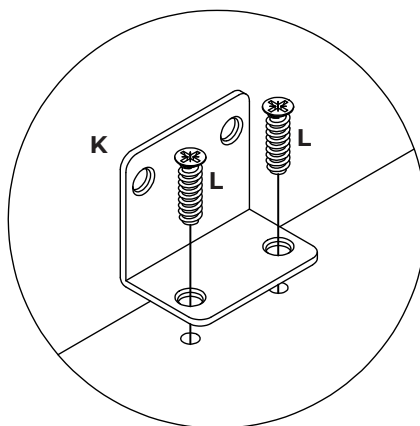
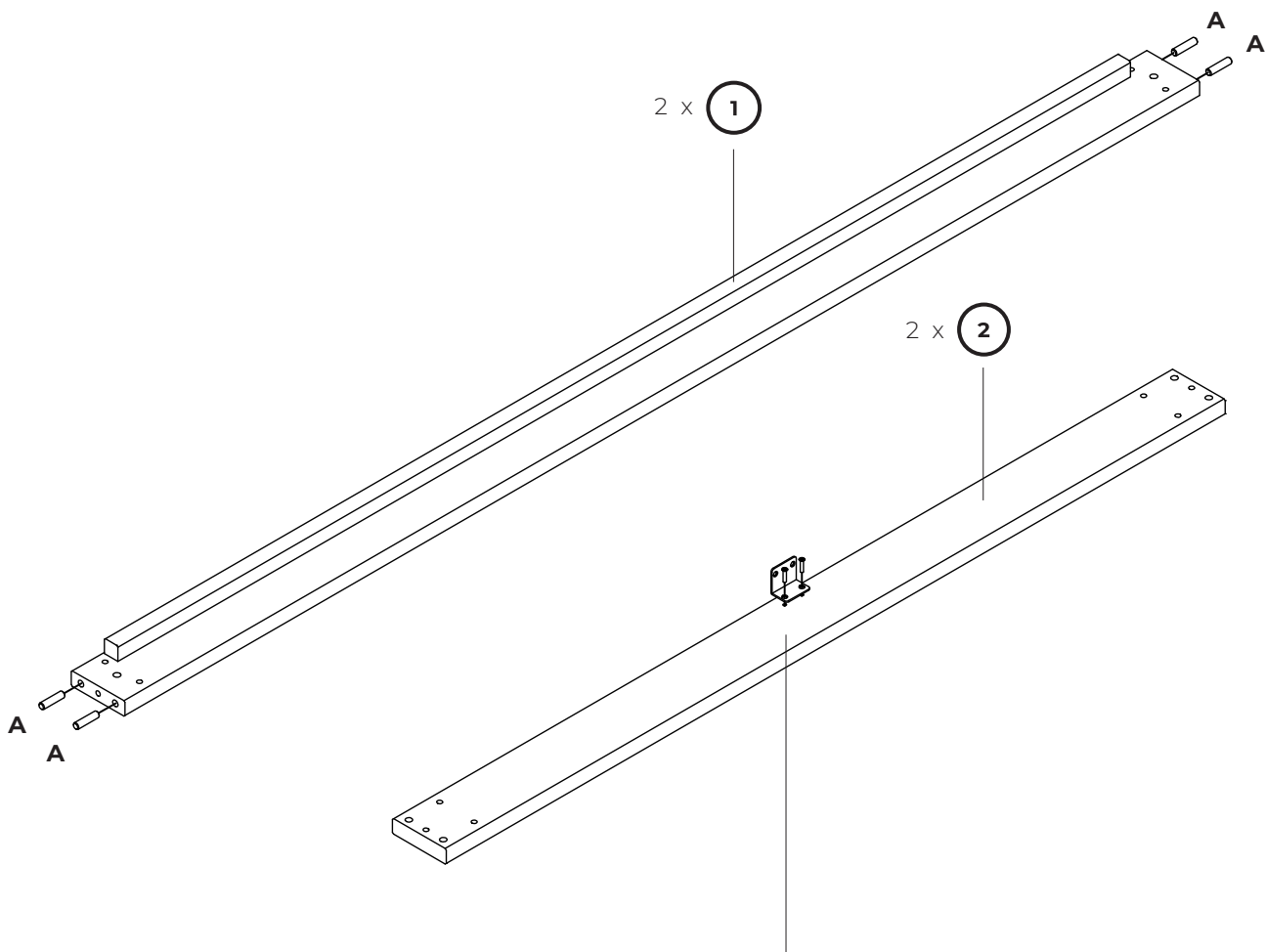
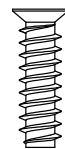
A x 8

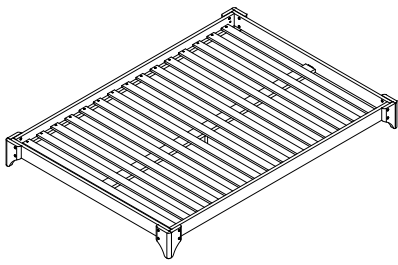


K x 2

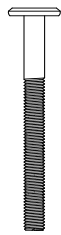


L x 4





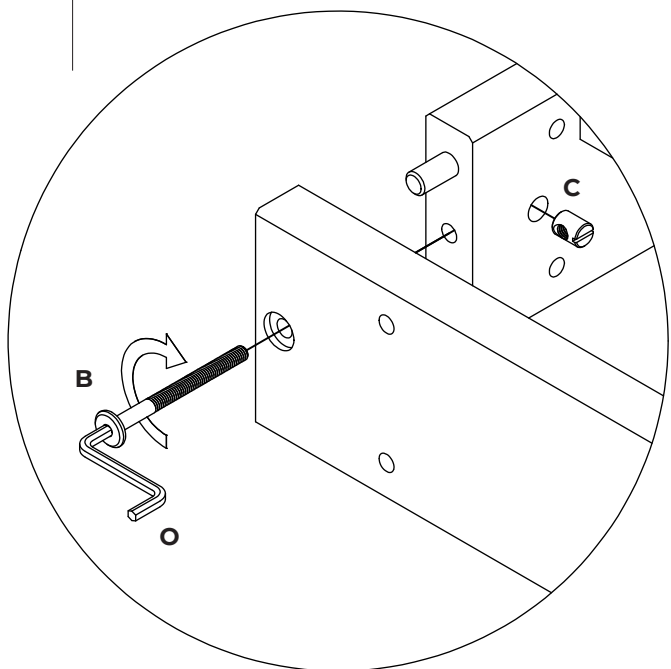
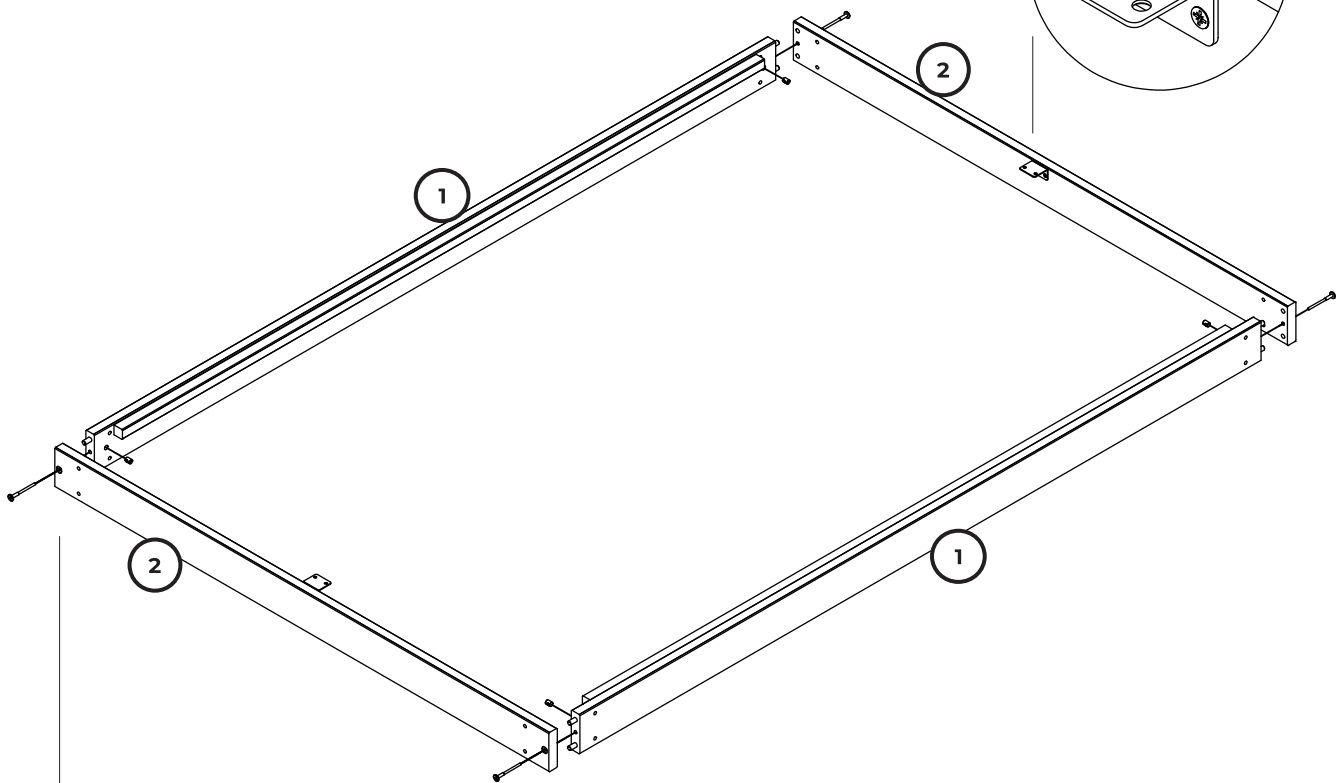
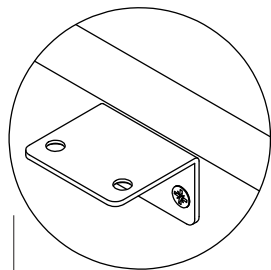
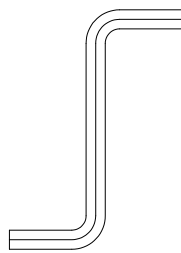
B x 4

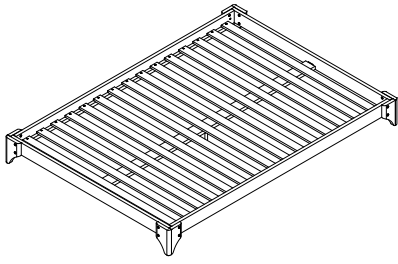


C x 4



O x 1





A x 2



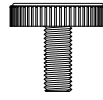
H x 1



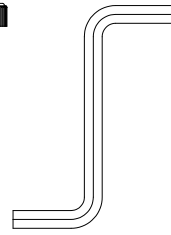
I x 1



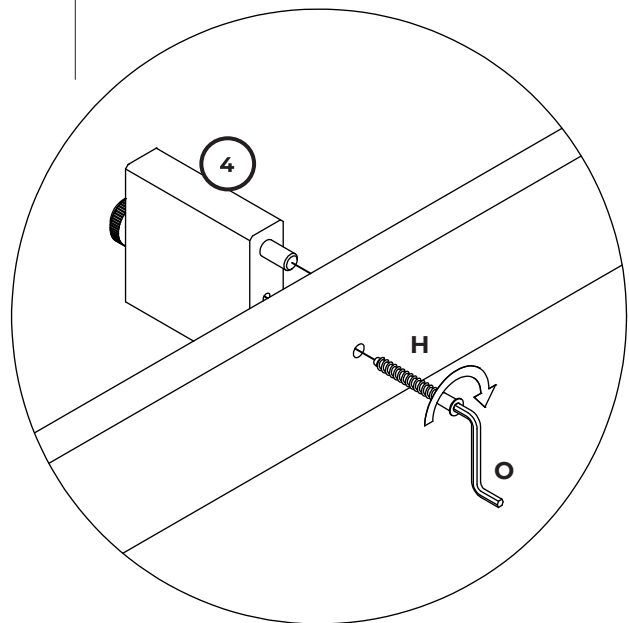
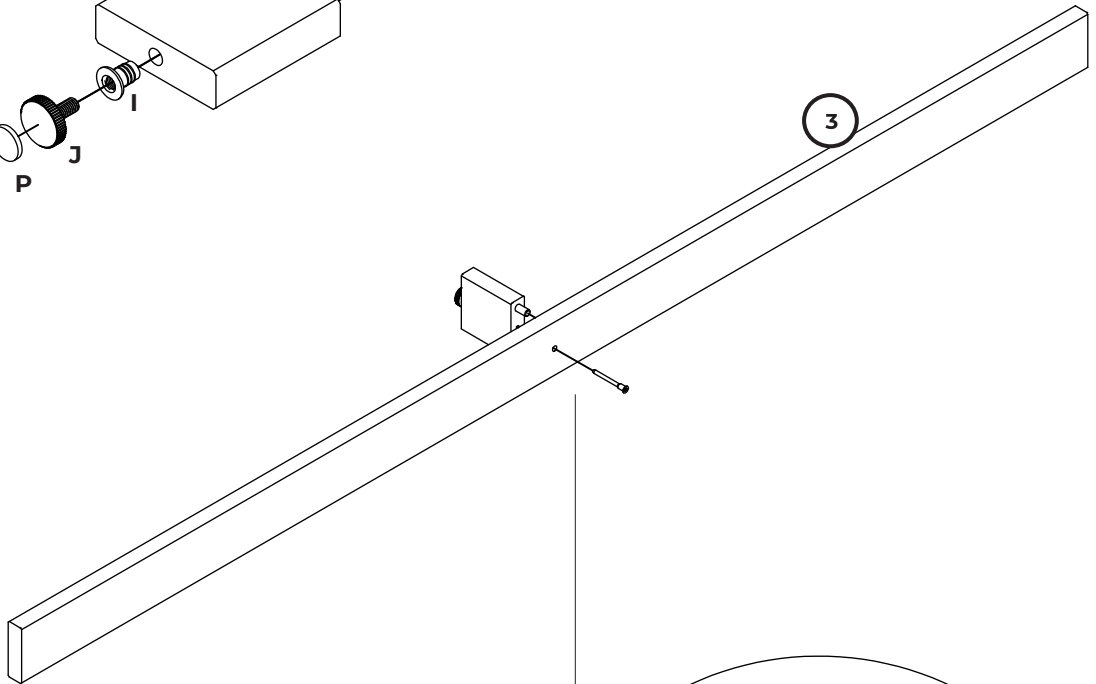
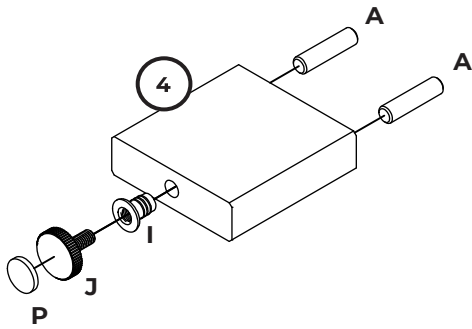
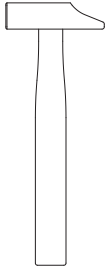
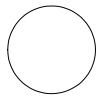
J x 1

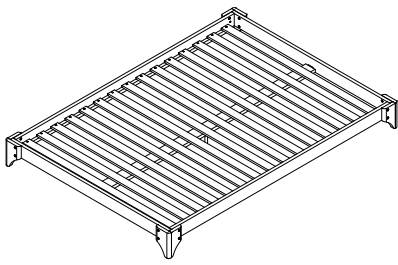


O x 1



P x 1





A x 8

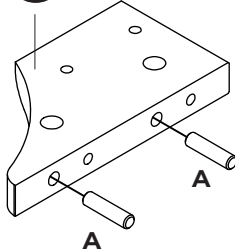
D x 8

E x 8

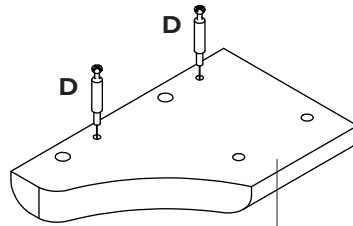
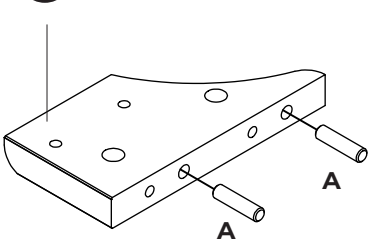
P x 4



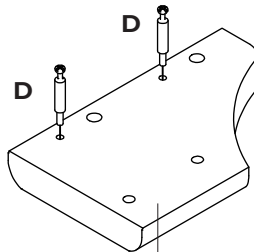
2 x 9



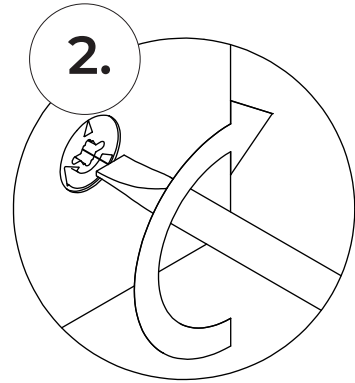
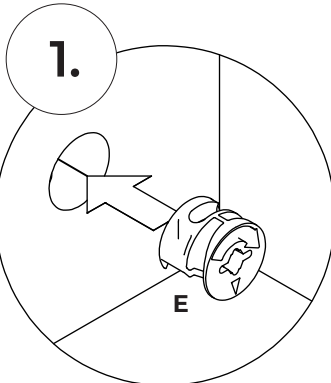
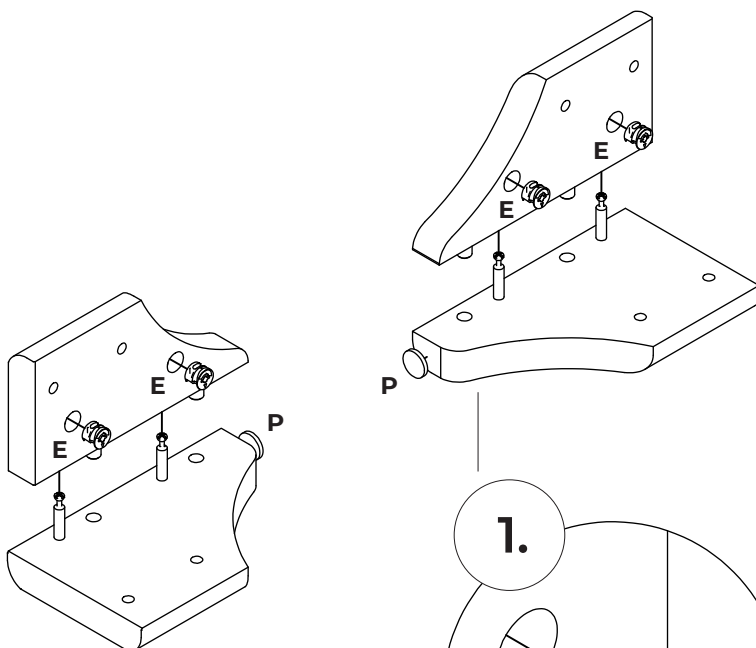
2 x 8

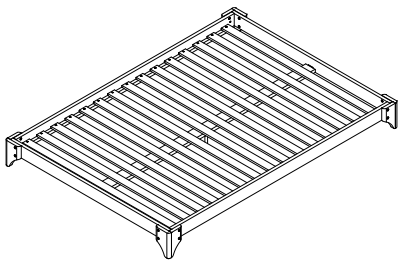


2 x 6

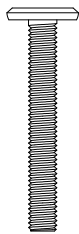


2 x 7





F x 16



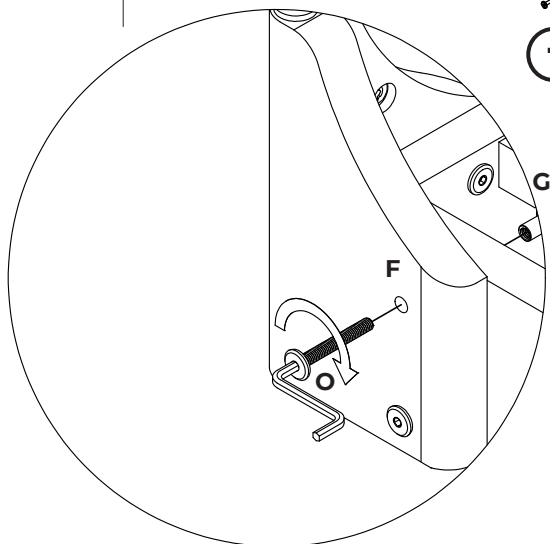
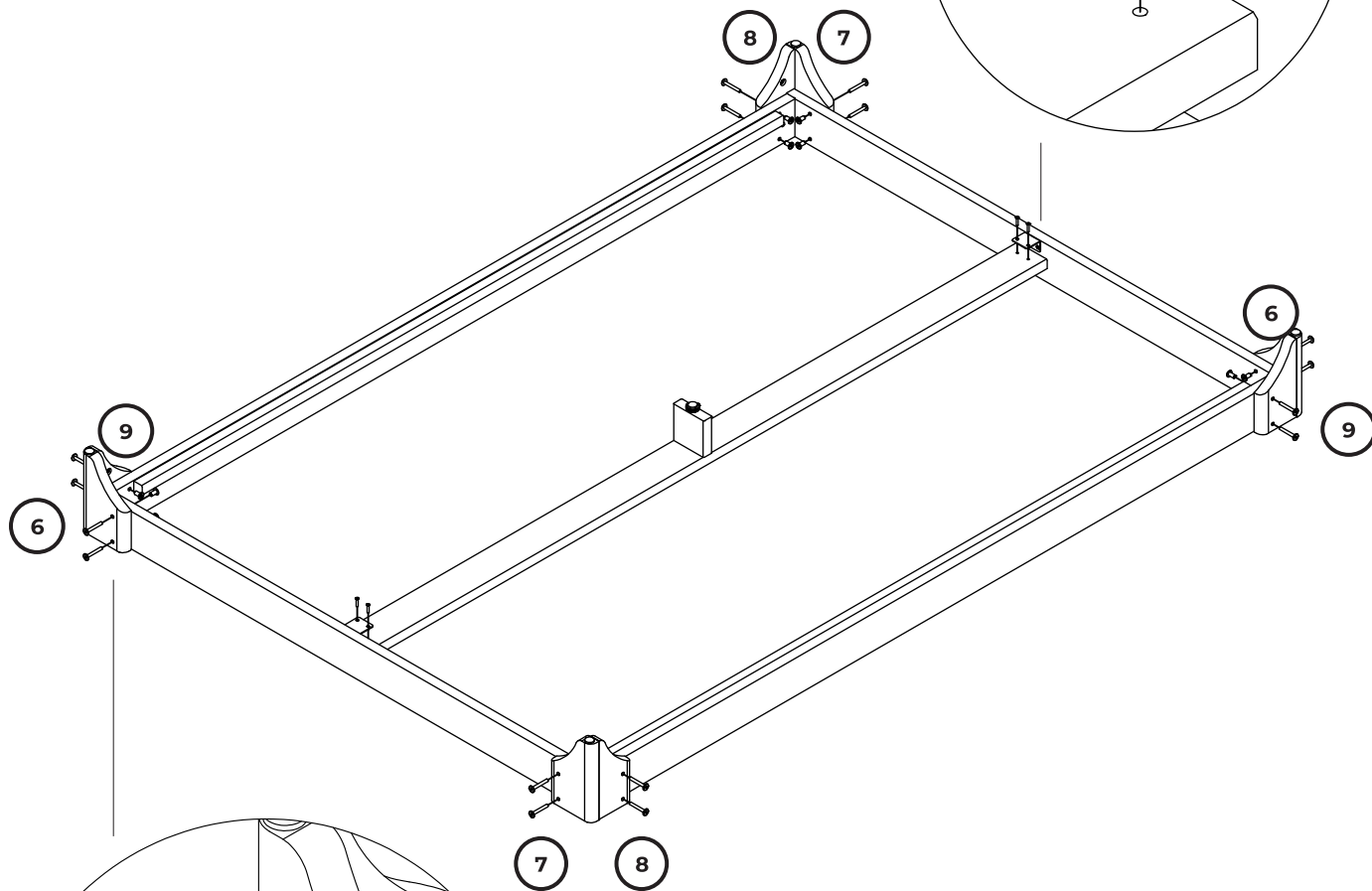
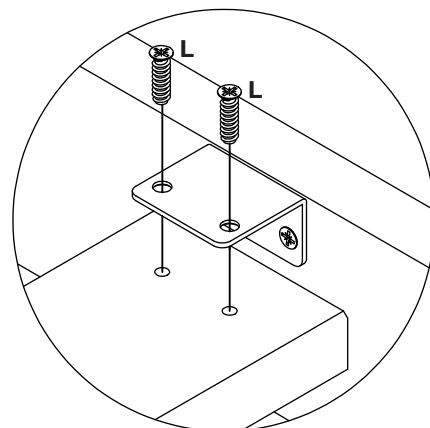
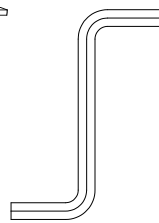
L x 4

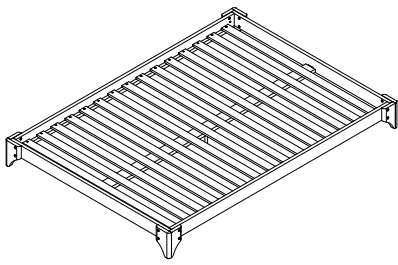


G x 16



O x 2

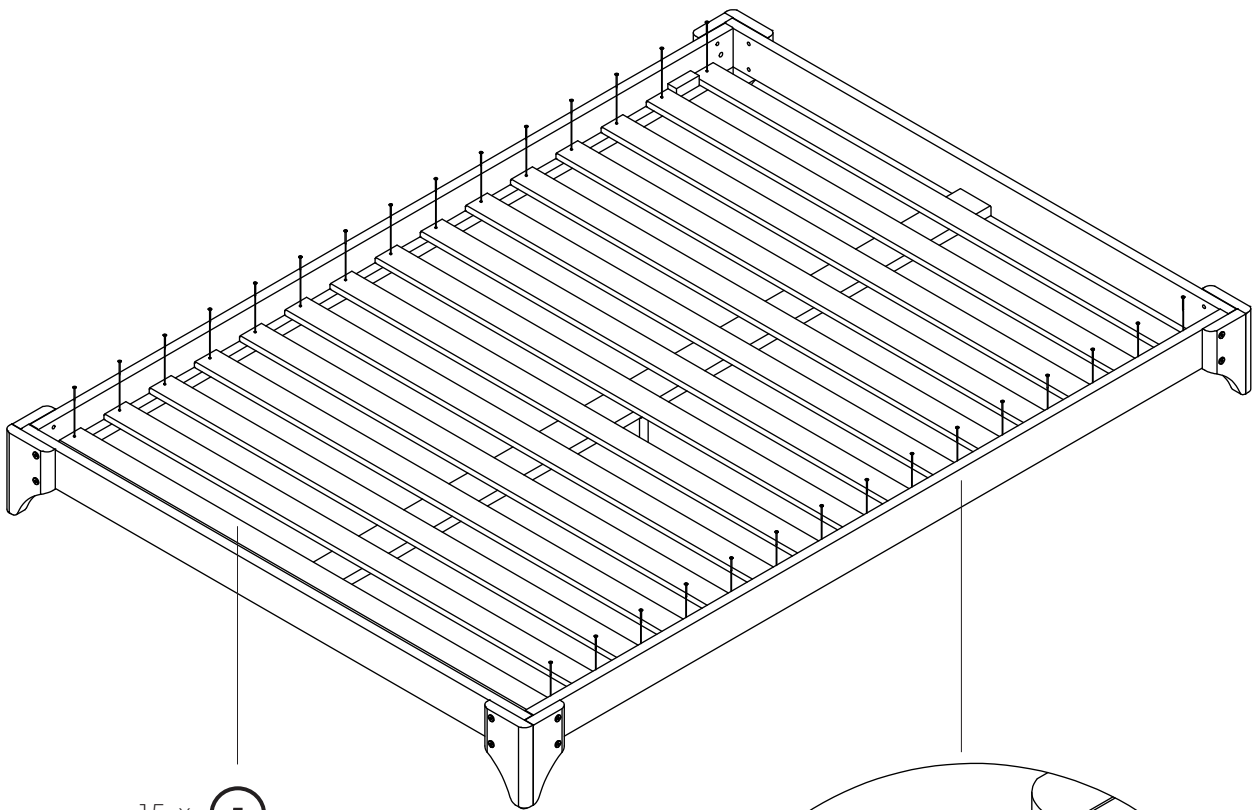
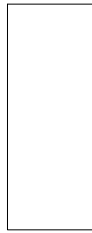




N x 30



R x 2



15 x **5**

